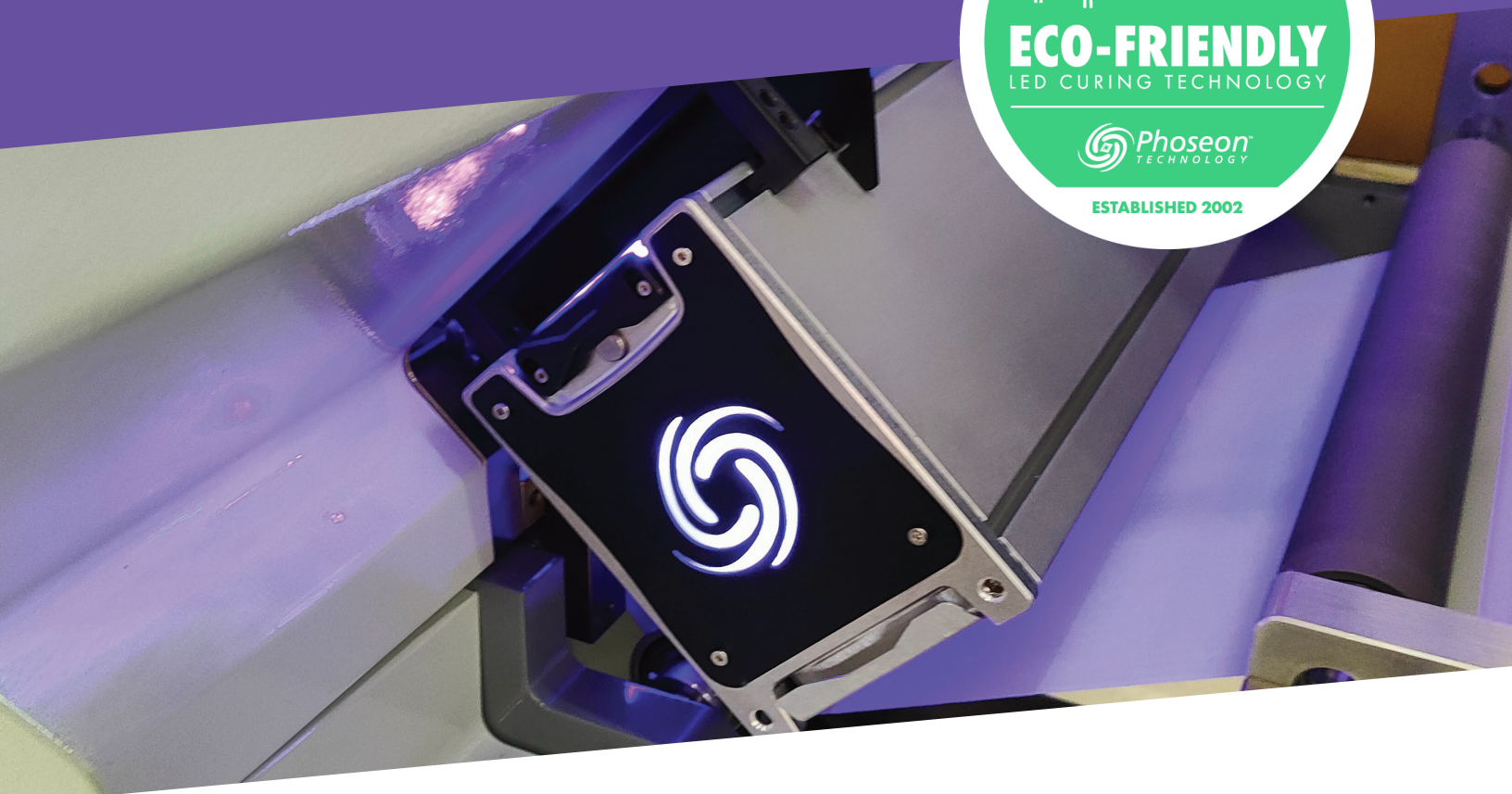


# NEXUS ONE™

## UV LED Curing Systems



### smart

NEXUS ONE UV LED  
IQ + INDUSTRY 4.0  
BUILT IN

### unique

NEXUS ONE UV LED  
2.5x MORE DIODES  
THAN COMPETITORS

### reliable

NEXUS ONE UV LED  
> 60 000 HOURS  
LIFETIME

### assured

NEXUS ONE UV LED  
5 YEAR WARRANTY  
ON FULL SYSTEM

UV LED CURING INDUSTRY PIONEER SINCE 2002

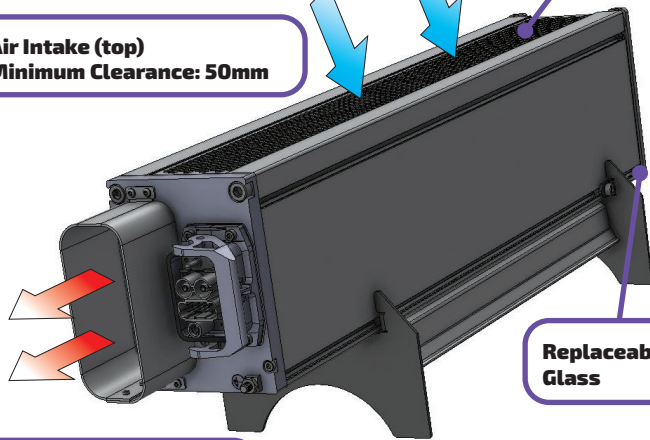
# NEXUS ONE™

## UV LED Curing Systems



**Air Intake (top)**  
Minimum Clearance: 50mm

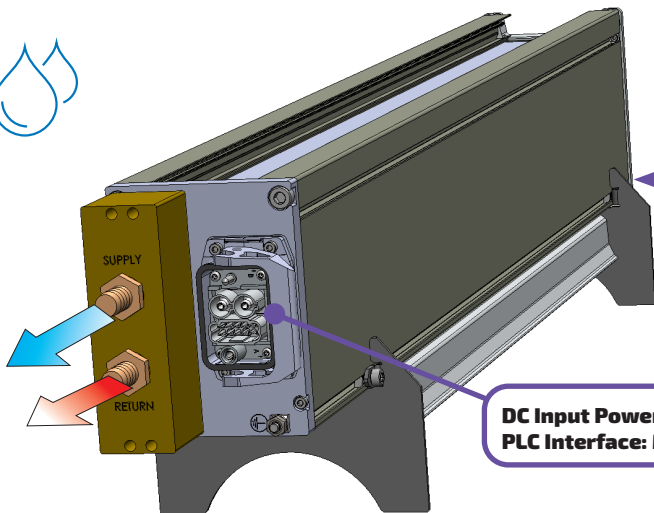
**Replaceable Air Filter**



**Air Exhaust (rear)**  
Minimum Clearance: 250mm

### Nexus ONE Air Cooled

- web width: 300 - 600mm
- no chiller / fan blower needed
- 70% less kwh consumption
- up to 220m/min print speed
- quick + easy retrofit to any press



**Replaceable Glass**

**DC Input Power: 120±5 Vdc**  
**PLC Interface: Modbus over TCP/IP**

### Nexus ONE Water Cooled

- web width: 675mm
- higher dose
- 60% less kwh consumption
- up to 320m/min print speed
- quick + easy retrofit to any press

### Specification:

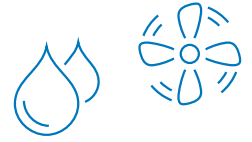
Maximum electrical power:	65W AC / 95W WC per cm
Expected diode lifetime:	> 60 000h at L90
Maximum operating temperature:	45C for air cooled lamps
Diode count:	120 diodes per segment (25x20mm)
Maximum print speed:	220 m/minute minimum AC
Maximum print speed:	320 m/minute minimum WC
Standard cross section:	110mm W x 190mm H

## COOLING BUILT IN

- + correction airflow design
- + no external fan
- + less energy consumption
- + quick and easy retrofit

## QUALITY BUILT IN

- + self protecting diode design
- + 21 years UV LED experience
- + 5 year warranty on all components
- + longest lifetime in the industry



## PATENTS BUILT IN

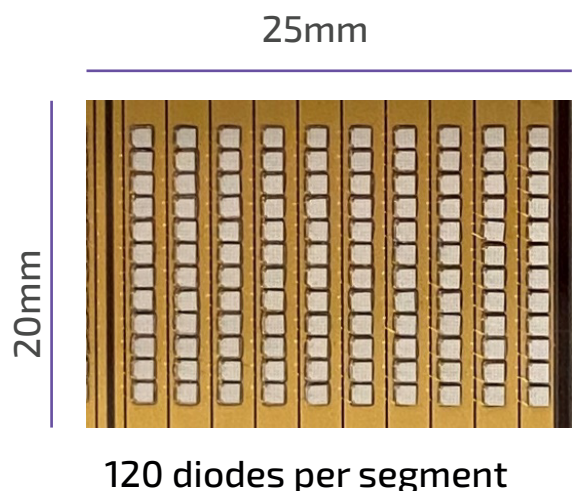
- + over 300 patents in UV LED
- + VALIDCURE™ Technology
- + approved with all UV LED inks
- + highest dose in industry

## EFFICIENCY BUILT IN

- + up to 70% less energy consumption
- + air cooling = no compromises on curing
- + highest diode count in industry
- + highest printing speeds in industry

## HIGHEST LED DIODE COUNT IN THE INDUSTRY

- more diodes = higher total UV power (dose)
- lower diode junction temperature
- less heat
- + higher lifetime expectancy
- + higher print speeds
- + higher redundancy



# NEXUS ONE™

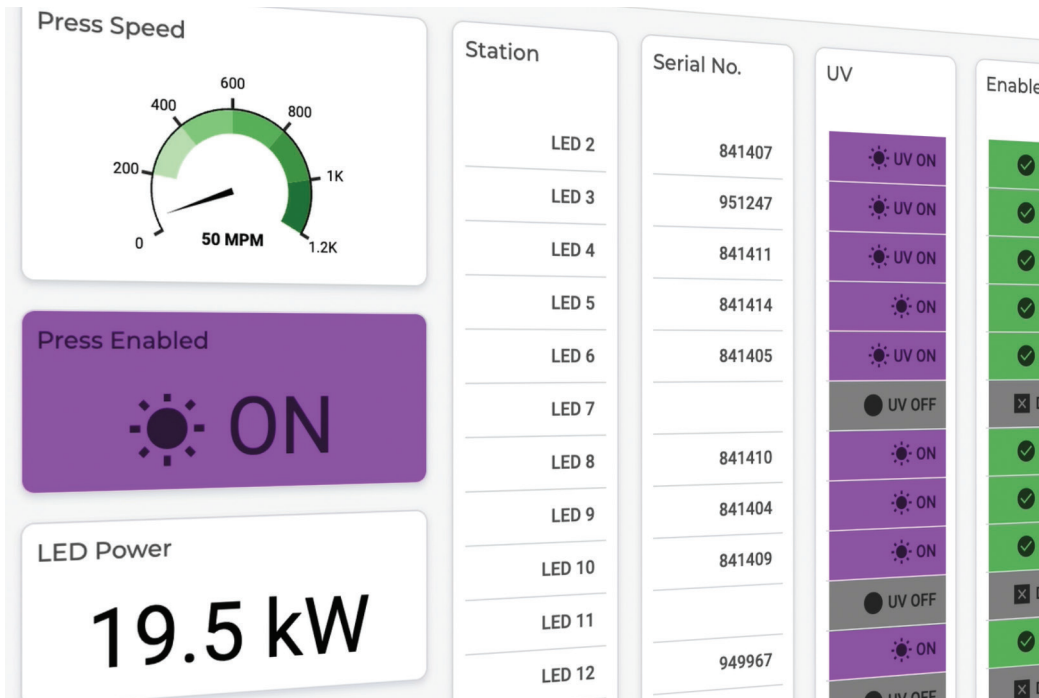
## UV LED Curing Systems

**SMART UV LED**  
INDUSTRY 4.0 COMPLIANT



**ValidCure™ Technology** validates the curing power delivered to the material surface

- + web / app based access to UV LED data
- + preventive maintenance capabilities
- + monitoring UV LED output 24/7



## PROVEN RELIABILITY

5 YEAR WARRANTY FOR ENTIRE SYSTEM



- + investment protection
- + no additional charges, no hidden costs
- + not connected to usage of lamp
- + lowest cost of ownership

Phoseon Technology

7425 NE Evergreen Parkway

Hillsboro, Oregon - USA

[www.phoseon.com](http://www.phoseon.com)

[info@phoseon.com](mailto:info@phoseon.com)

 **Phoseon™**  
TECHNOLOGY  
An EXCELITAS TECHNOLOGIES Company